



Vasari Red Owner's Manual

GOLD NOTE

The Renaissance of Technology.

Thank you for your purchase of the **Vasari Red** stereo cartridge.

Read these Operating Instructions carefully before using your **Vasari Red** and keep it for future reference.

Before Using

1. The Stylus is very delicate. Applying excessive force to the stylus, such as pressing with a finger can break it. Handle the cartridge with the utmost care.
2. A powerful magnet is used in the cartridge. Note that carelessly bringing a steel screwdriver or other such item near the cartridge will result in it being attracted by the magnet and may result in damage to the stylus, so care must be taken.

Package Content

- Cartridge body
- Stainless Steel no-magnetic two sets of head-shell fixing 2,5mm screws
- 2mm Allen Wrench
- Owner's Manual

Method of Use

1. Mounting the cartridge on the tone arm Head-Shell using the supplied Allen Wrench and one set of the 2,5mm screws. Adjust it to the stylus position specified for the turntable system you are using mounting it properly without tilting or turning it. (See Figure 1.)

- The output terminals are colours coded for identification

as illustrated in Figure 2. Match the colors of the tone arm head-shell leads to the terminals and connect each other properly.

NOTE:

When connecting the cartridge, be sure to use the tipped leads and press them onto the terminals. Applying heat to the output terminals of the cartridge, such as in direct soldering, will cause internal damage to the cartridge, such as wire breakage.

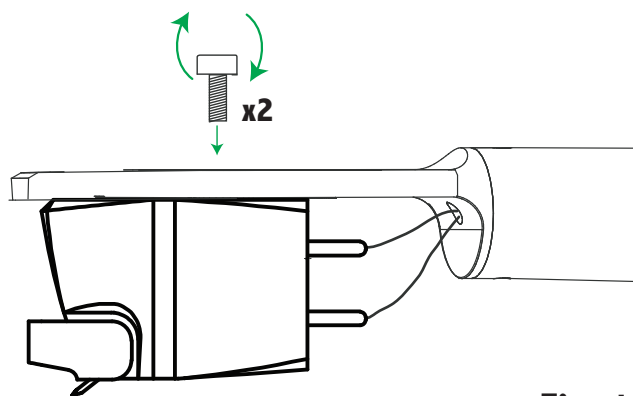


Fig. 1

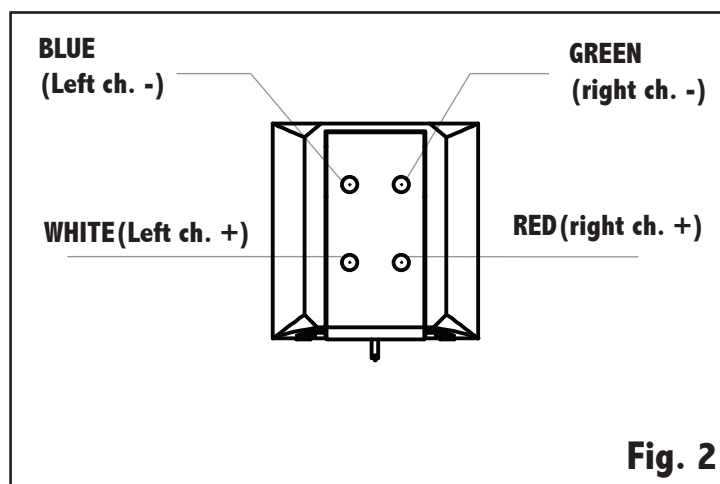


Fig. 2

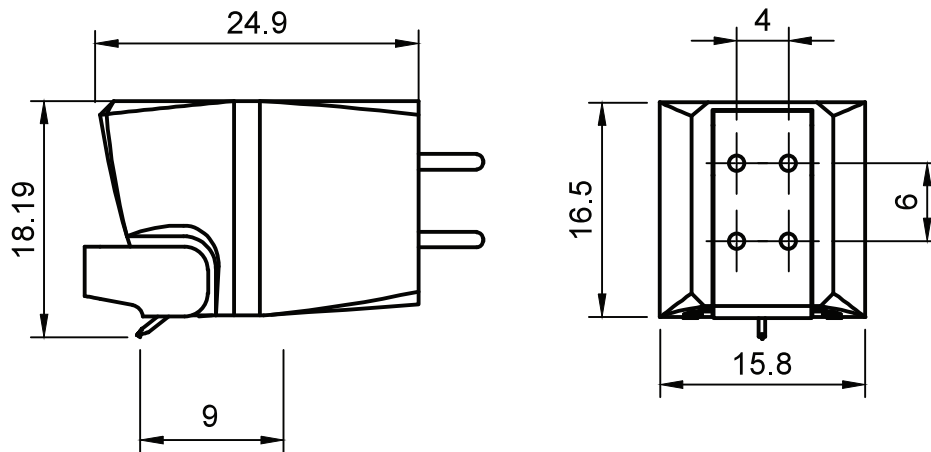
With an innovative and beautiful shape, computer designed and then finely machined to achieve top audio performance, **Vasari** combines style and technology

Its high dampening body firmly block the cartridge; its ultra-rigid cantilever in aluminium features a custom elliptical diamond tip, exclusively developed for **Gold Note**

To let you enjoy even the finest sound details, the cantilever is securely and directly installed into the metal body to enhance structural rigidity for top trackability, so that you can experience the greatest and largest bandwidth response

Vasari completes our range of cartridges with the best designed MM model ever made

Please Note: to preserve the uniqueness all **Vasari Red** cartridges have the serial number indelibly printed.



SPECIFICATIONS

Typology: MM Phono Cartridge

Output level: 4.0mV

Frequency response: 15-25000Hz

Impedance: 1000Ω

Suggested load: 47KΩ

Inductance: 500mH

Compliance: 10×10⁻⁶cm/dyne

Channel separation: > 20dB

Channel balance: < 2dB

Suggested tracking weight: 2.0g

Cantilever: Aluminum

Diamond: Spherical

Diamond size: 15.5μm

Coil Wire: Copper

Magnet: Alnico

Mounting hole diamond distance: 9mm

Body

solid block machined Delrin

Color

black body - red logo - red name

Physical

Total weight: 7g

GOLD NOTE
The Renaissance of Technology.



Via della Gora, 6
Montespertoli (Florence) Italy 50025

Tel. + 39 0571 675005

Fax. + 39 0571 675013

www.goldnote.it