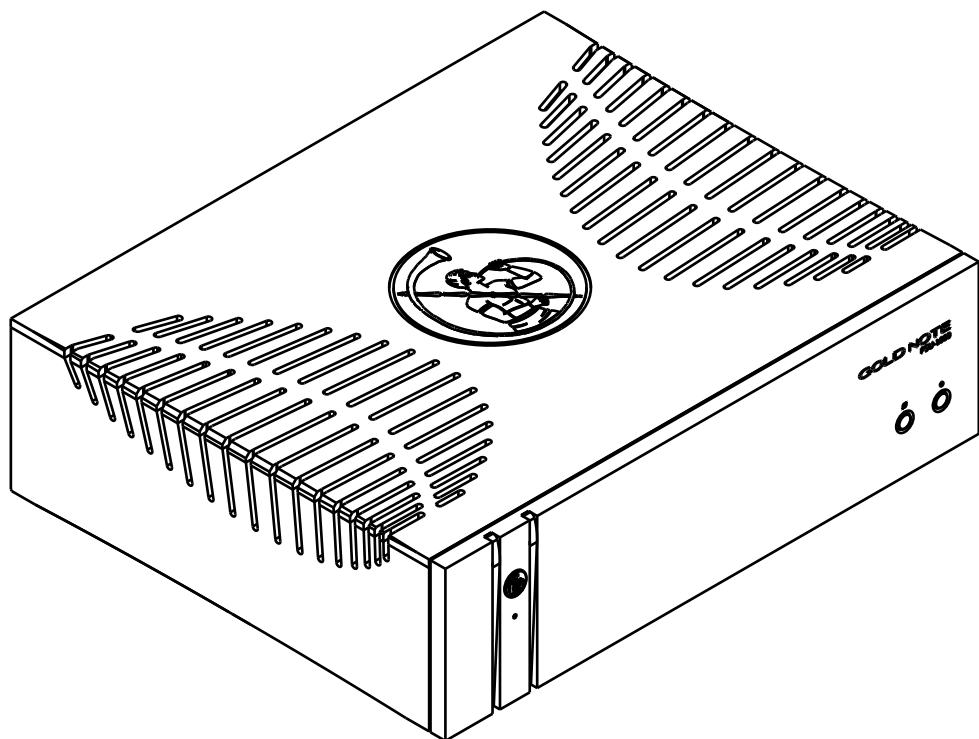


GOLD NOTE
Italian Music Experience

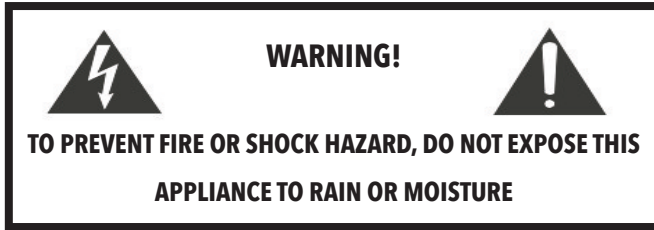


PSU-1000

EXTERNAL POWER SUPPLY

OWNER'S MANUAL

IMPORTANT SAFETY INFORMATION



CAUTION!

TO REDUCE THE RISK OF ELECTRIC SHOCK, DO NOT REMOVE COVER (OR BACK).
NO USER-SERVICEABLE PARTS INSIDE.
REFER ONLY TO QUALIFIED GOLD NOTE SERVICE PERSONNEL FOR SERVICE

Do not disassemble any part of the product.

Do not use any part of the product for other purposes.

For service and problems of any kind, contact qualified Gold Note personnel.

Protect the product from rain and humidity and keep away from heat sources, electric and electronic motors etc.

The power Chord supplied must be used only on this unit.

Gold Note does not have responsibility for any improper use of this unit.

This appliance has a serial number located on the rear panel.

Please record the model and serial number and retain them for your records.

Serial Number: _____

Model: _____

IMPORTANT SAFETY INFORMATION

1 Read these instructions and store them.

2 Heed all warnings.

3 Follow the instructions.

4 Do not use this apparatus near water.

5 Clean only with a dry cloth.

6 Do not block the ventilation openings and install in accordance with the manufacturer's instructions.

7 Do not install near heat sources such as radiators, heat registers, stoves or other apparatus (including amplifiers) that produce heat.

8 Do not defeat the safety purpose of the polarised or grounding-type plug: a polarised plug has two blades with one wider than the other.

A grounding type plug has two blades and a third grounding prong.

The wide blade or the third prong are provided for your safety.

If the provided plug does not fit into your outlet, consult an electrician for replacement of the obsolete outlet.

9 Protect the power cord from being walked on or pinched particularly at plugs, convenience receptacles, and the point where they exit from the apparatus.

10 Only use attachments/accessories specified by the manufacturer.

11 Use only with the cart, stand, tripod, bracket, or table specified by the manufacturer, or sold with the apparatus.

When a cart is used, use caution when moving the cart/apparatus combination to avoid injury from tip-over.

12 Unplug this apparatus during lightning storms or when unused for long periods of time.

13 Refer all servicing to qualified service personnel only.

Servicing is required when the apparatus has been damaged in any way (such as when the power cord or plug is damaged, liquid has been spilled or objects have fallen into the apparatus, the apparatus has been exposed to rain or moisture) and in any case when the apparatus does not operate normally or has been dropped.

DESCRIPTION & SPECIFICATIONS

The PSU-1000 is a super inductive & chokes power supply dedicated to the Gold Note 1000 series of electronics.

PSU-1000 has been engineered with the best quality audio-grade components to enhance the performance of the Gold Note 1000 series of electronics, such as: CD-1000, DS-1000, PH-1000 and P-1000.

For the PSU-1000 we engineered a sophisticated 1000W design powered by a double inductor driving the negative and positive high current stages and featuring an inductive filter on the analogue stage.

The PSU-1000 can deliver high quality power using 6 transformers: 4 are dedicated exclusively to the power supply, the other 2 are dedicated to the inductive filter and the chokes.

MAIN FEATURES

Six rail audio grade power supply

Six low noise voltage regulator

+12V, +5V for logic

+/- 14V for analog with inductive noise remover

+/- 28V for analog with inductive noise remover

Line & Load regulation for all outputs 0,05 %/V

Line noise rejection >80dB

Common mode noise rejection >80dB

Full power response time <2,5uSec

Absolute phase control from front panel

The Gold Note proprietary *Dual Chokes Design* perfectly filters the signal voltage in order to eliminate electrical pollution coming from the electrical power grid.

The PSU-1000 takes advantage of its massive power supply to shield the Gold Note 1000 series of electronics from electro-magnetic noise thus insulating it effectively from the external AC power system.

The large, ultra-clean power delivered will enhance ultra-low noise, greater dynamic, better resolution and finer details for a realistic high-end audio performance and pure audio pleasure.

POWER

Mains supply: 100/120V & 220/240V with automatic selection, 50/60Hz

Total Power Reserve: 1000W

Power Absorption: 100W

Dynamic power: >200W

Stand by power: <1W

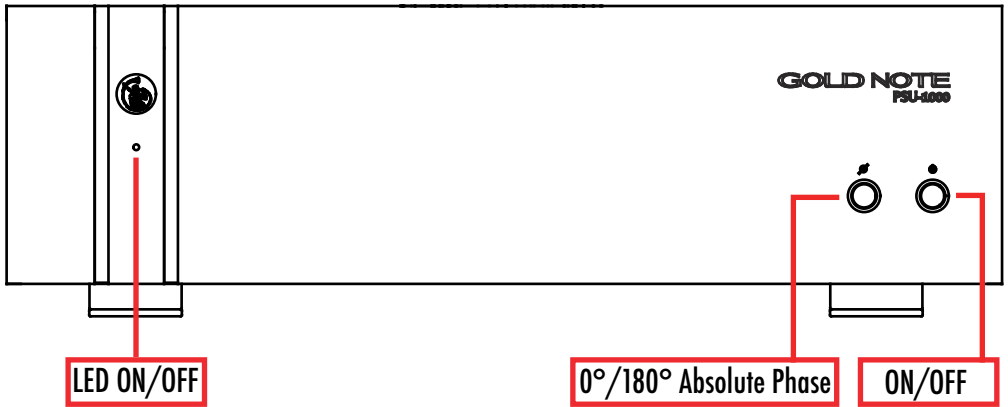
DIMENSIONS & WEIGHT

425mm L | 110mm H | 360mm D

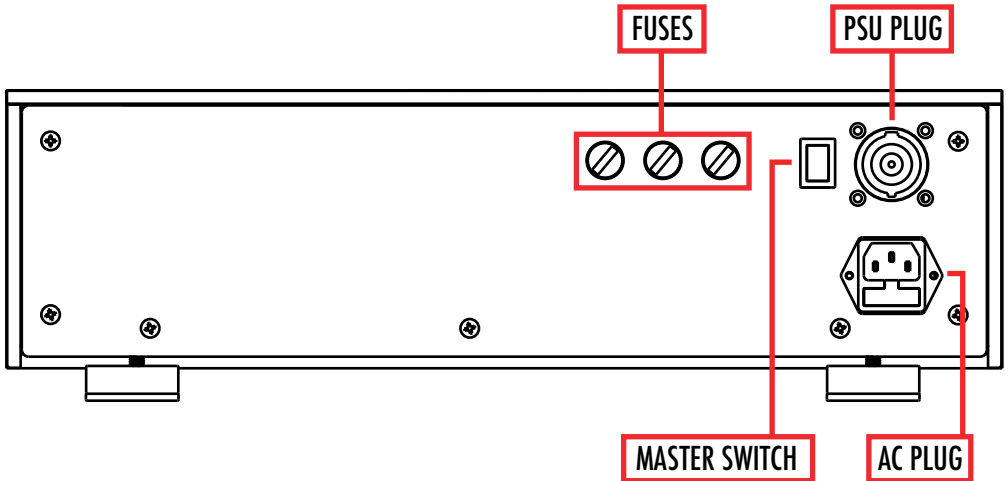
15 Kg

FRONT & REAR PANEL

FRONT PANEL OVERVIEW



REAR PANEL OVERVIEW



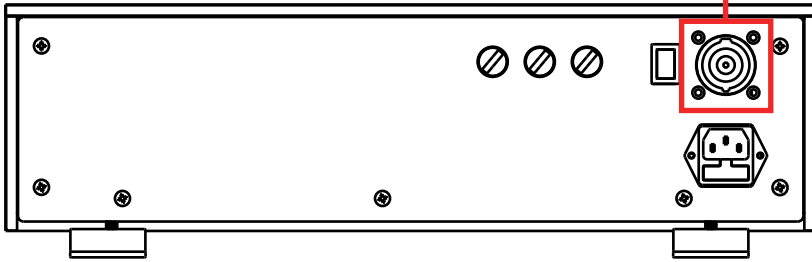
PLEASE NOTE

The LED is always ON when the PSU-1000 is in Standby but the Master Switch is ON.

QUICK START

INSTALLING THE PSU-1000 IS SIMPLE AND TAKES ONLY A FEW QUICK STEPS

1. Turn OFF the MASTER SWITCH on the Gold Note 1000 series of electronics and remove the power cord
2. Connect the PSU-1000 to the AC power outlet using the supplied power cord
3. Connect the PSU-1000 to the Gold Note 1000 series of electronics using the supplied cable PSU LINK cable (from the PSU OUT on PSU-1000 to the PSU port on Gold Note 1000 series of electronics)
4. Turn on the MASTER SWITCH on the rear panel of the PSU-1000.



PSU-1000 is designed to work in *client mode* with any electronics of the Gold Note 1000 series: turn ON the MASTER SWITCH of the PSU-1000 to put in stand-by the unit it is powering.

Every time the PSU-1000 is in stand-by, the unit it is powering will go automatically in stand-by [display OFF and LED OFF].

If you need to turn OFF the unit powered by the PSU-1000, simply turn OFF the MASTER SWITCH on the PSU-1000.

The Gold Note 1000 series of electronics will show the PSU-1000 is connected by showing the PSU icon on the display or by changing the colour of the LED from BLUE to GREEN.

FAQ & TROUBLESHOOTING

PLACING THE PSU-1000 INTO THE SYSTEM

To achieve the best performance we recommend to place the PSU-1000 at a reasonable distance from other audio electronics.

The PSU-1000 shouldn't be placed over on under the unit it is powering nor too close to other electronics.

TROUBLESHOOTING

PROBLEM	CAUSE	SOLUTION
the LED on the front panel is OFF.	the POWER CORD is damaged or not plugged in correctly.	ensure that the POWER CORD is not damaged and connect it properly to the power outlet and the AC plug on the PSU.
	the MASTER SWITCH is OFF.	turn ON the MASTER SWITCH on the rear panel of the PSU.
the GN unit connected to the PSU is not showing the PSU icon on the display/LED hasn't turned GREEN.	the PSU CONNECTION CABLE is not plugged in correctly.	ensure that the PSU CONNECTION CABLE is not damaged and connect it properly to the PSU OUT port on the PSU-1000 on the compatible GN 1000 series of electronics.
the GN source connected to the PSU is noisy.	the PSU is not correctly placed.	ensure that the PSU is not placed too close to the source or other potential noisy apparatus or try moving it in a different position.

To validate the warranty please register the unit on the dedicated page on our website : www.goldnote.it/warranty

To find more information and details on our policies regarding service please visit : www.goldnote.it/service



GOLDNOTE

Italian Music Experience

www.goldnote.it